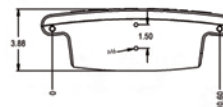
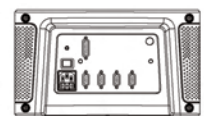
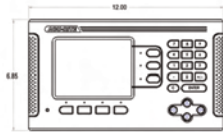


200S Technical Data



- Display** 2- or 3-axes 5.7" transmissive LCD display
- Common Functions**
- Near-zero warning
 - Help function
 - 16 tool offsets / diameter
 - Preset and zero reset
 - 4 function calculator / Trig calculator
 - Instant inch/mm conversion
 - Position-Trac™
- Milling Specific Functions**
- Bolthole pattern calculations with graphics (full and partial circles)
 - Centerline calculation enables you to establish workpiece zero and midpoints
 - Edge finder input
- Turning/General Specific Functions**
- Lock axis feature
 - Instant radius / diameter conversion
 - Taper calculator
- Error Compensation** Linear and non-linear compensation up to +/-9,999 ppm
- Construction** Die-cast metal
- Data Interface** RS-232-C/V.24 serial port
- Electrical Requirements** Voltage of 100-240 Vac
Power of 30 VA max
Frequency of 50/60 Hz (+/-3Hz)
- Operating Temperature** 0 degrees to 45 degrees C
(32 degrees to 113 degrees F)
- Storage Temperature** -20 degrees to 70 degrees C
(-22 degrees to 158 degrees F)
- Weight** 4.85 lbs.
- Certifications** ISO-9001, UL, CSA, CE



Precision Glass Scales

With more than one million scales in use today, ACU-RITE precision glass scales withstand the elements of contamination found in even the harshest machine shop environments. As a result, our precision glass scales resist changes in size, shape or density due to temperature and humidity variations. This stability provides exceptional accuracy down to $\pm 1.5\mu\text{m}$ ($.00006''$), resulting in tighter workpiece tolerances. ACU-RITE scales are available in travel lengths from 1"-773" and in resolutions from $0.5\mu\text{m}$ ($.00002''$) to $10\mu\text{m}$ ($.0005''$).

Worldwide Office Locations

Acu-Rite Companies Inc. USA

One Precision Way, Jamestown, NY 14701
Tel: 800.344.2311 Fax: 716.661.1888

Web: www.acu-rite.com / E-mail: sales@acu-rite.com

ACI (Shanghai Rep. Office), China

Room 1986, Tower B, City Center of Shanghai
No. 100 Zunyi Lu Road, Chang Ning District
200051 Shanghai P.R.C

Tel: 011.86.21.62370398 Fax: 011.86.21.62372320

E-mail: china@acu-rite.com

ACU-RITE sarl, France

2 Avenue de la Cristallerie, BP 68-92316, Serves Cedex, France
Tel: 011.33.1.46290061 Fax: 011.33.1.45072402

Web: www.acu-rite.fr / E-mail: courrier@acu-rite.fr

ACU-RITE GmbH, Germany

Fraunhoferstrasse 1, D-83301, Traunreut, Germany
Tel: 011.49.8669.856110 Fax: 011.49.8669.850930

Web: www.acu-rite.de / E-mail: info@acu-rite.de

ANILAM srl, Acu-Rite Products, Italy

Strada Borgaretto, 38, 10043 Orbassano, Torino, Italy
Tel: 011.39.011.900.2606 Fax: 011.39.011.900.2466

Web: www.acu-rite.it / E-mail: acuit@tin.it

ANILAM TW, Acu-Rite Products, Taiwan

No. 246 Chau-Fu Road, Taichung City 407, Taiwan, ROC
Tel: 011.886.4.225.87222 Fax: 011.886.4.225.87260

E-mail: anilamtw@anilam.com

ACI (UK) Limited, United Kingdom

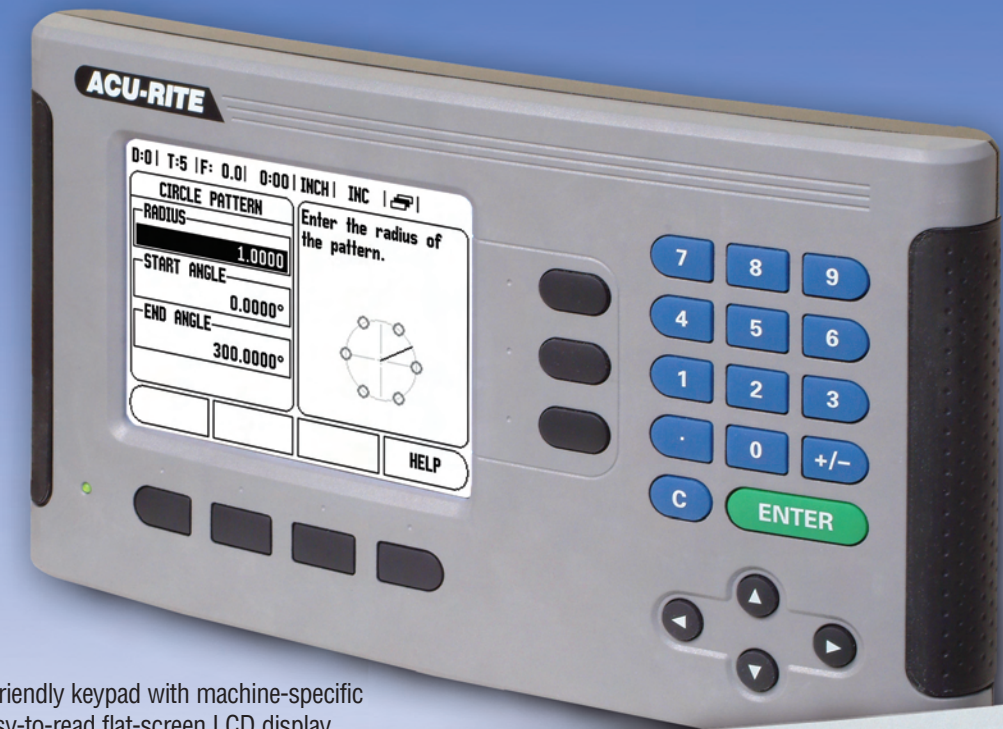
16 Plover Close, Interchange Park, Newport Pagnell
Buckinghamshire, MK16 9PS United Kingdom
Tel: 011.44.0.1908.514.500 Fax: 011.44.0.1908.610.111

Web: www.aciuk.co.uk / E-mail: sales@aciuk.co.uk

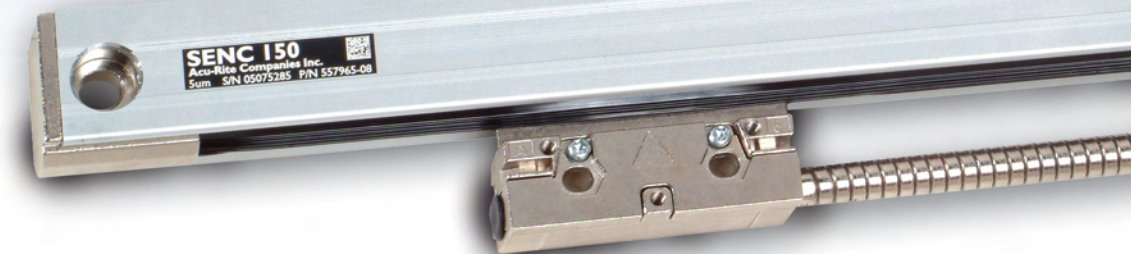
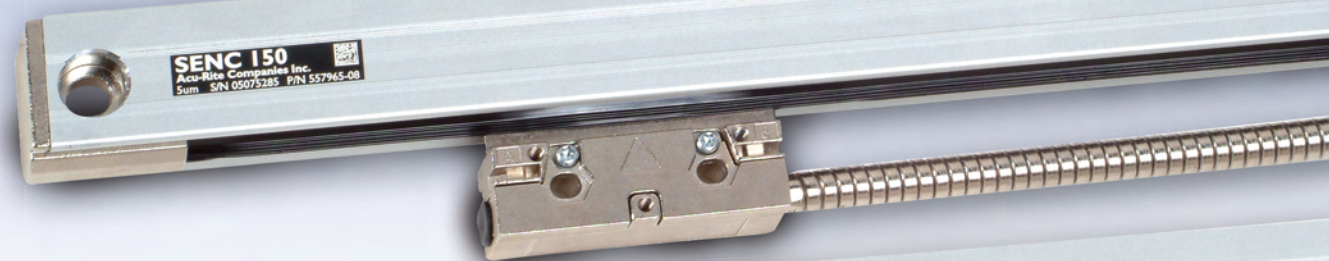
200S LCD Digital Readouts

Crystal Clear.

Nothing else measures up.



Intuitive, operator-friendly keypad with machine-specific software and easy-to-read flat-screen LCD display.



ACU-RITE®

The world's first choice for readout systems.



ACU-RITE IS AN
ISO 9001
CERTIFIED
MANUFACTURER



ACU-RITE®

The world's first choice for readout systems.

Versatile. Intuitive. User-friendly.

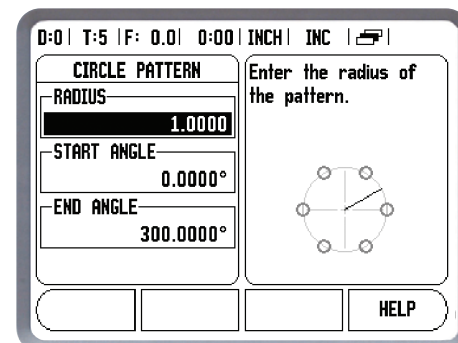
Simply the best digital readouts you'll ever see.

The ACU-RITE 200S features exclusive LCD display screen technology and versatile software to accommodate milling, turning or grinding applications – all with the same bright, crystal clear readout. Plus, a content-sensitive help function assists you in troubleshooting any difficulty.

All ACU-RITE products are designed and manufactured in ACU-RITE's ISO 9001 certified facility. They are designed to UL/CSA/CE specifications and are backed by a 3-year Hassle-Free Warranty.

ACU-RITE maintains a strong worldwide authorized distribution network of fully trained and qualified personnel to provide quality sales and service support. ACU-RITE's authorized distribution network is readily available to provide prompt delivery, thorough product training and skilled technical service.

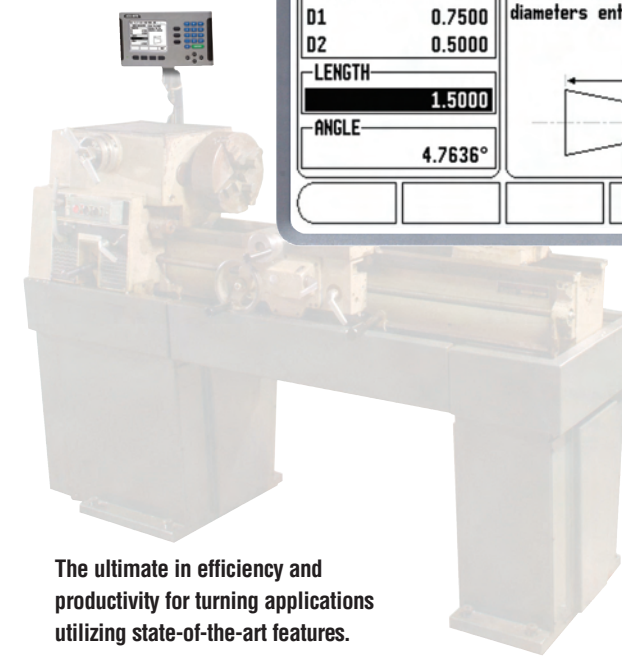
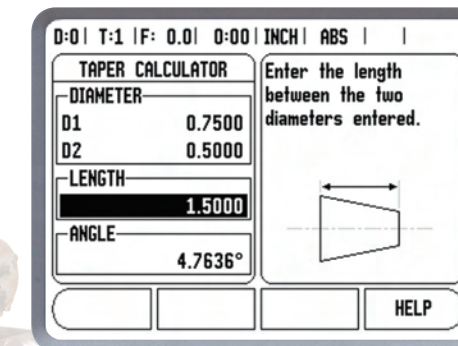
Updated, state-of-the-art features for milling at an affordable price.



200S for Milling Applications

- ▶ Bolt hole pattern calculations with graphics (full and partial circles)
- ▶ Centerline calculation enables you to establish workpiece zero and midpoints
- ▶ 16 tool offsets/diameter
- ▶ 2- or 3-axes LCD display
- ▶ Preset and zero reset
- ▶ Near-zero warning
- ▶ Instant inch/mm conversion
- ▶ Linear and non-linear error compensation
- ▶ Electronic edge finder input
- ▶ Position-Trac™ – a unique feature that lets you easily, quickly and accurately reestablish workpiece zero after power loss

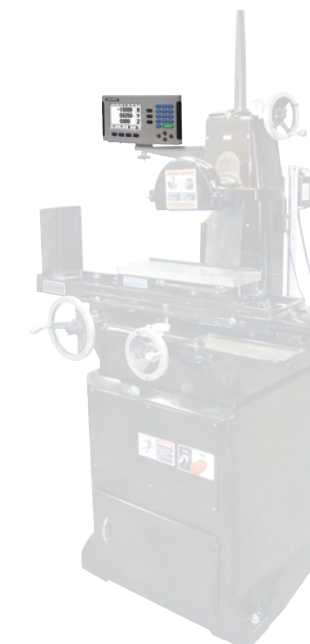
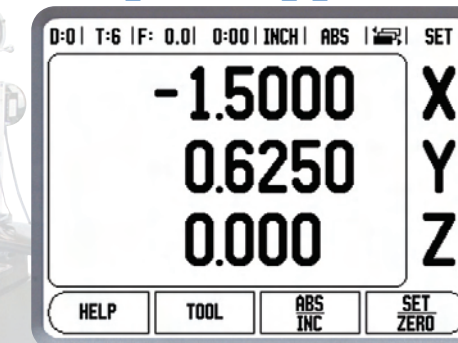
200S for Turning Applications



The ultimate in efficiency and productivity for turning applications utilizing state-of-the-art features.

- ▶ 16 Tool Offsets for easy compensation of different tool sizes
- ▶ Lock Axis feature, used in conjunction with tool offsetting, lets you establish tool offsets with the tool under load, resulting in reduced tool deflection
- ▶ Instant radius/diameter conversion reduces math errors and allows you to machine to print dimensions
- ▶ Position-Trac™ – a unique feature that lets you easily, quickly and accurately reestablish workpiece zero after power loss
- ▶ 2- or 3-axes LCD display
- ▶ Preset and zero reset
- ▶ Near-zero warning
- ▶ Instant inch/mm conversion
- ▶ Linear and non-linear error compensation

200S for Grinding and General Purpose Applications



Increase the accuracy of grinding and general purpose applications with efficient and productive features.

- ▶ 2- or 3-axes LCD display
- ▶ Preset and zero reset
- ▶ Near-zero warning
- ▶ Instant radius/diameter conversion to reduce math errors and allow you to machine to print dimensions
- ▶ Position-Trac™ – a unique feature that lets you easily, quickly and accurately reestablish workpiece zero after power loss
- ▶ Absolute/incremental display
- ▶ Instant inch/mm conversion
- ▶ Linear and non-linear error compensation

Visit www.acu-rite.com today for more information. Or call 800.344.2311.